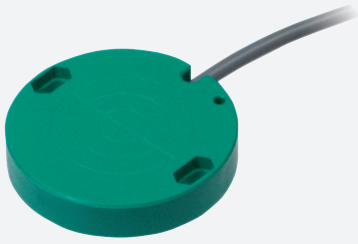
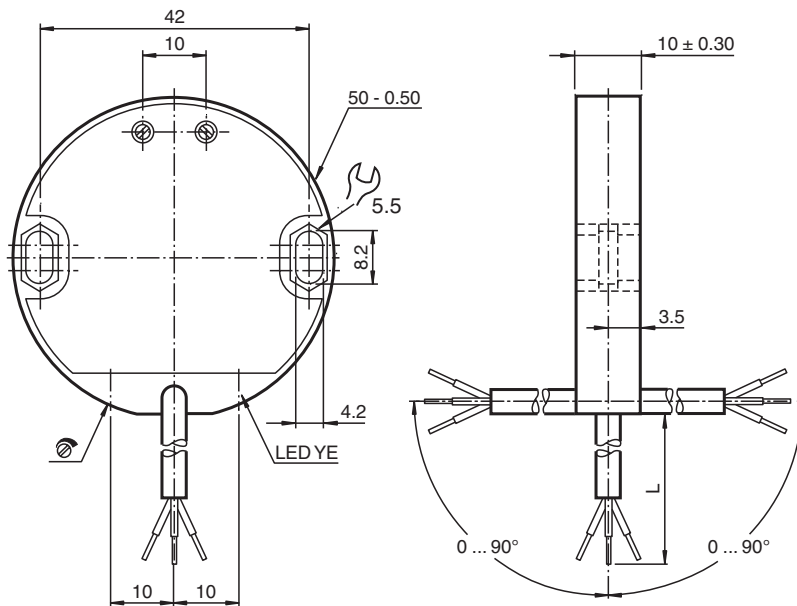


Capacitive sensor

CJ30-50K10-E0123-Y46139



Dimensions



Technical Data

General specifications

Switching function		Normally open/closed (NO/NC) switchable
Output type		PNP/NPN
Rated operating distance	s_n	30 mm
Installation		flush
Output polarity		DC
Assured operating distance	s_a	0 ... 25 mm
Output type		3-wire

Nominal ratings

Release date: 2020-03-20 Date of issue: 2020-03-30 Filename: 046139_eng.pdf

Refer to "General Notes Relating to Pepperl+Fuchs Product Information".

Pepperl+Fuchs Group
www.pepperl-fuchs.com

USA: +1 330 486 0001
fa-info@us.pepperl-fuchs.com

Germany: +49 621 776 1111
fa-info@de.pepperl-fuchs.com

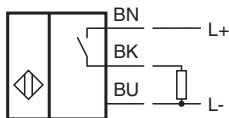
Singapore: +65 6779 9091
fa-info@sg.pepperl-fuchs.com

 PEPPERL+FUCHS

Technical Data

Installation conditions		
B		0 mm
C		90 mm
F		100 mm
Operating voltage	U_B	10 ... 30 V
Switching frequency	f	0 ... 50 Hz
Hysteresis	H	typ. 20 %
Reverse polarity protection		reverse polarity protected
Short-circuit protection		pulsing
Voltage drop	U_d	≤ 2.5 V
Operating current	I_L	0 ... 150 mA
Lowest operating current	I_m	0 mA
Off-state current	I_r	0 ... 0.1 mA typ. 0.1 μ A at 25 °C
No-load supply current	I_0	≤ 15 mA
Time delay before availability	t_v	≤ 50 ms
Switching state indicator		Multihole-LED, yellow
Functional safety related parameters		
MTTF _d		554 a
Mission Time (T _M)		20 a
Diagnostic Coverage (DC)		0 %
Compliance with standards and directives		
Standard conformity		
Standards		EN 60947-5-2:2007 EN 60947-5-2/A1:2012 IEC 60947-5-2:2007 IEC 60947-5-2 AMD 1:2012
Approvals and certificates		
UL approval		cULus Listed, General Purpose
CSA approval		cCSAus Listed, General Purpose
Ambient conditions		
Ambient temperature		-30 ... 60 °C (-22 ... 140 °F)
Mechanical specifications		
Connection type		cable PUR , 2 m
Core cross-section		0.25 mm ²
Housing material		POM
Sensing face		POM
Degree of protection		IP67

Connection



Additional Information

The switching state is indicated by LED visible in three directions with the output function break contact / make contact / PNP / NPN freely configurable via rotary switch.

Adjustment:

The adjustment is via the flush mounted adjustment potentiometer.

Change-over:

For the functional coding PNP/NPN and break/make contact there is a rotary switch each at the back of the sensor.

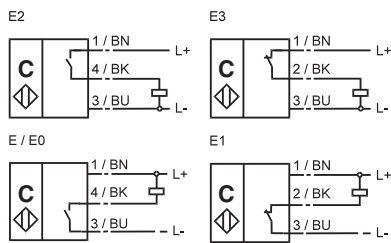
The adjustment is carried out by turning the appropriate switch to the position corresponding to the switching function (ground stop).

Delivery state: E2 (PNP, make contact)

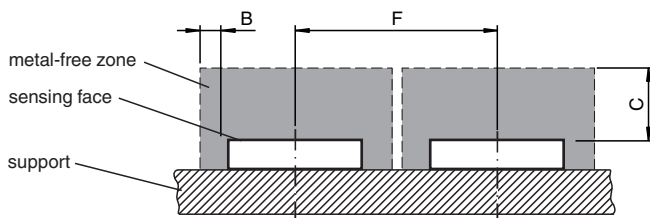
Break/make contact coding:

By turning 270 degree to the left the change-over from PNP to NPN is achieved.

Connection diagrams:



Installation



Release date: 2020-03-20 Date of issue: 2020-03-30 Filename: 046139_eng.pdf