

AS-Interface flat cable VAZ-FK-S-YE

- Cable piercing technique
- Resistant to environmental influence
- Resistant to bending
- Reverse polarity protected due to the shape of the cable
- Halogen-free (PVC-free)
- Does not give off silicone
- Graduations in meters

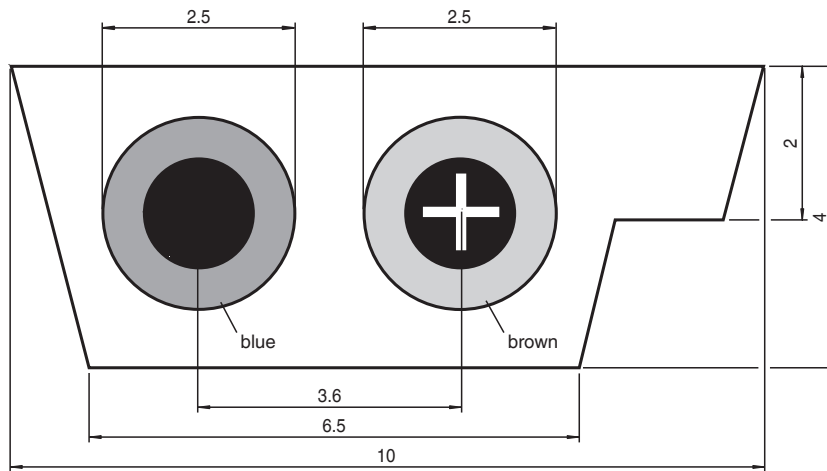
AS-Interface flat cable



Product Versions

+++ SAFETY +++
Is also available with black SAFETY print (order code VAZ-FK-S-YE-SAFETY)

Dimensions



Technical Data

Electrical specifications

Nominal voltage	300 V
Current loading capacity	According to DIN VDE 0298 Part 4, Table 6, Column 4

Ambient conditions

Conductor temperature	Operating mode: 90 °C (363 K) Short-circuit: 200 °C (473 K)
Ambient temperature	-40 ... 85 °C (-40 ... 185 °F) at standstill, -25 ... 85 °C (-13 ... 185 °F) in motion

Mechanical specifications

Core cross section	Copper tin-plated, extra-fine wire, class 6 in accordance with DIN VDE 0295 cross-section 1.5 mm ²
Bending radius	min. permissible bend radii in accordance with DIN VDE 0298 Part 3, Table 2 Bending stress only permitted on the wide side of the cable
Tension loading	max. 50 N/mm ² on laying acc. to DIN VDE 0298 Part 3

Release date: 2022-03-08 Date of issue: 2022-03-08 Filename: 040921_eng.pdf

Refer to "General Notes Relating to Pepperl+Fuchs Product Information".

Pepperl+Fuchs Group
www.pepperl-fuchs.com

USA: +1 330 486 0001
fa-info@us.pepperl-fuchs.com

Germany: +49 621 776 1111
fa-info@de.pepperl-fuchs.com


Singapore: +65 6779 9091
fa-info@sg.pepperl-fuchs.com

PEPPERL+FUCHS

Technical Data

Material	EPDM Rubber compound EM3, based on DIN VDE 0207 Part 21
Core insulation	Rubber compound in accordance with DIN VDE 0207 Part 20
Cable	
Color	yellow (similar to RAL 1012)
Cable length	100 m
Note	The cable is intended for use as a bus power line in inside areas. Only cable with a black sheathing is suitable for outside use.

Accessories

	VAZ-FK-ED3	AS-Interface end seal for flat cable
---	-------------------	--------------------------------------