



Model Number

NBN3-F25F-E8-V1

Features

- For installation in housing
- Direct mounting on standard actuators

Accessories

- BT32**
Activator for F25 series
- BT32XS**
Activator for F25 series
- BT32XAS**
Activator for F25 series
- BT33**
Activator for F25 series
- BT34**
Activator for F25 series
- V1-G**
Female connector, M12, 4-pin, field attachable
- V1-W**
Female connector, M12, 4-pin, field attachable
- V1-W-2M-PUR**
Female cordset, M12, 4-pin, PUR cable
- V1-G-2M-PUR**
Female cordset, M12, 4-pin, PUR cable

Technical Data

General specifications

Switching element function		PNP	Dual NO
Rated operating distance	s_n	3 mm	
Installation		flush mountable	
Output polarity		DC	
Assured operating distance	s_a	0 ... 2.3 mm	
Actual operating distance	s_r	2.6 ... 2.6 mm typ.	
Reduction factor r_{AI}		0.5	
Reduction factor r_{304}		1	
Reduction factor r_{S37}		1.1	

Nominal ratings

Operating voltage	U_B	10 ... 30 V DC	
Switching frequency	f	0 ... 500 Hz	
Hysteresis	H	typ. 5 %	
Reverse polarity protection		all connections	
Short-circuit protection		pulsing	
Voltage drop	U_d	≤ 3 V	
Operating current	I_L	0 ... 200 mA	
Off-state current	I_r	0 ... 0.5 mA typ. 0.1 μ A at 25 °C	
No-load supply current	I_0	≤ 25 mA	
Time delay before availability	t_v	≤ 500 ms	
Operating voltage indicator		LED, green	
Switching state indicator		LED, yellow	

Functional safety related parameters

MTTF _d	870 a
Mission Time (T _M)	20 a
Diagnostic Coverage (DC)	0 %

Ambient conditions

Ambient temperature	-25 ... 70 °C (-13 ... 158 °F)
Storage temperature	-40 ... 85 °C (-40 ... 185 °F)

Mechanical specifications

Connection type	Connector M12 x 1 , 4-pin
Housing material	PBT
Sensing face	PBT
Degree of protection	IP67
Tightening torque, fastening screws	M5 x 25 : 2.7 Nm
Note	Installation in housing

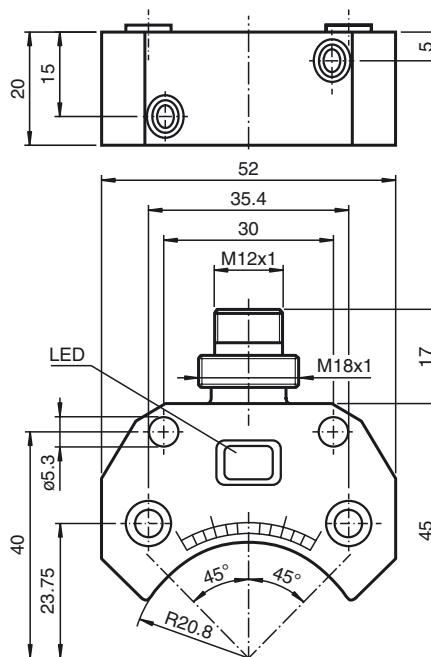
Compliance with standards and directives

Standard conformity	
Standards	EN 60947-5-2:2007 IEC 60947-5-2:2007

Approvals and certificates

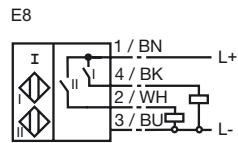
UL approval	cULus Listed, General Purpose
CSA approval	cCSAus Listed, General Purpose
CCC approval	CCC approval / marking not required for products rated ≤ 36 V

Dimensions

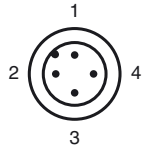


Release date: 2016-02-11 17:19 Date of issue: 2016-02-11 038141_eng.xml

Electrical Connection



Pinout



Wire colors in accordance with EN 60947-5-2

1	BN	(brown)
2	WH	(white)
3	BU	(blue)
4	BK	(black)