

Female connector, field-attachable

V1-G-BK

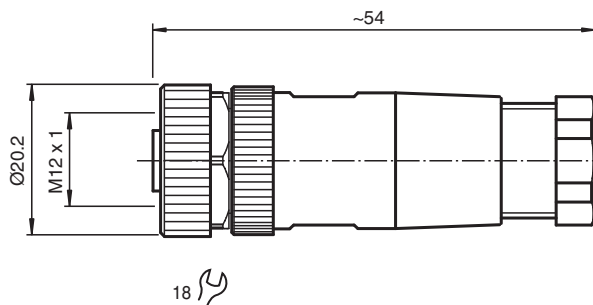


- Screw terminal connection
- Metal locking
- Knurled nut suitable for tool assembly
- cURus approval

Female connector M12 straight A-coded 4-pin, for cable diameter 4 - 6 mm, field-attachable



Dimensions



Technical Data

General specifications

| | | |
|-------------------|--|------------------|
| Connector 1 | | |
| Connection | | socket |
| Construction type | | M12 |
| Style | | straight |
| Locking | | screw connection |
| Number of pins | | 4 |
| Coding | | A-coded |
| UL File Number | | E363587 |

Electrical specifications

| | | |
|-----------------------|-------|---------------------|
| Operating voltage | U_B | max. 250 V AC/DC |
| Operating current | I_B | max. 4 A |
| Insulation resistance | | min. 100 M Ω |

Conformity

| | | |
|----------------------|--|-------------------------------------|
| Degree of protection | | EN 60529 |
| Plug connection | | connector M12 x 1 : IEC 61076-2-101 |

Ambient conditions

Release date: 2023-05-04 Date of issue: 2023-05-04 Filename: 224883_eng.pdf

Refer to "General Notes Relating to Pepperl+Fuchs Product Information".

Pepperl+Fuchs Group
www.pepperl-fuchs.com

USA: +1 330 486 0001
fa-info@us.pepperl-fuchs.com

Germany: +49 621 776 1111
fa-info@de.pepperl-fuchs.com

Singapore: +65 6779 9091
fa-info@sg.pepperl-fuchs.com

PEPPERL+FUCHS

Technical Data

| | |
|----------------------------------|--|
| Ambient temperature | -40 ... 85 °C (-40 ... 185 °F) |
| Pollution degree | 3 |
| Mechanical specifications | |
| Plug connector | |
| Tightening torque | 0.6 Nm |
| Tool installation | straight knurling , hexagon nut SW = 18 mm |
| Mating cycles | min. 50 |
| Degree of protection | IP67 |
| Connection | screw terminals for max. 0.75 mm ² / AWG 18 |
| Cable | |
| Sheath diameter | 4 ... 6 mm |
| Mass | 23.04 g |
| Material | |
| Plug connector | |
| Screw connection | CuZn, nickel-plated |
| Body | PA, black |
| Contact surface | CuSnZn |

Connection

